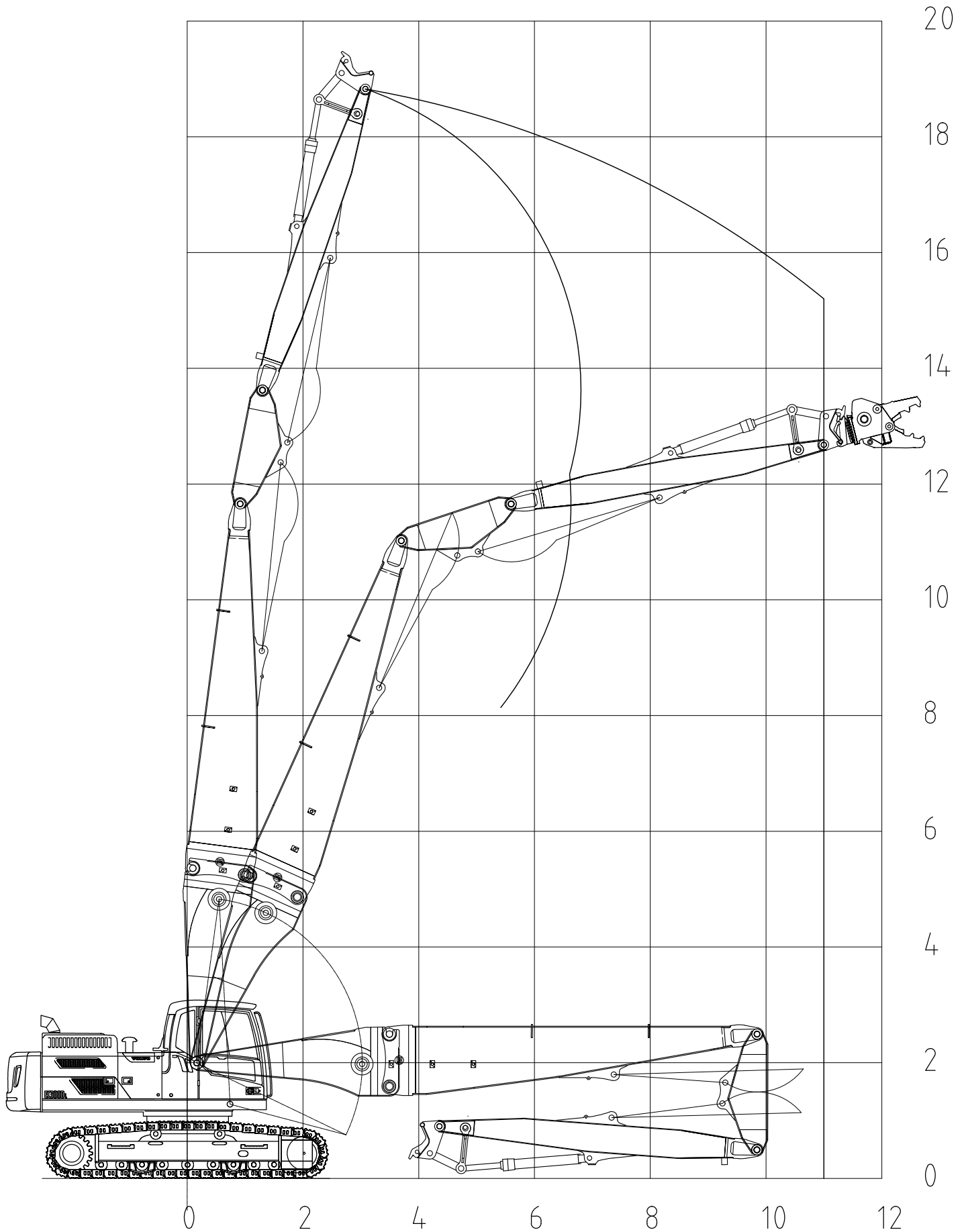


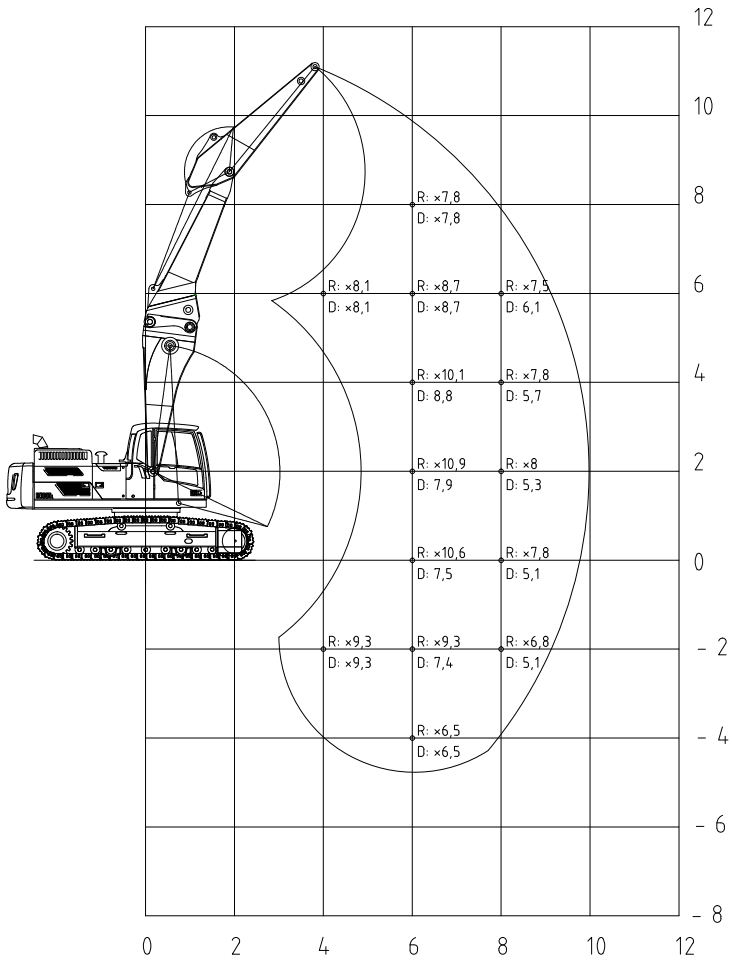


**Volvo EC300ENL**  
**High reach demolition\***  
**& digging front**

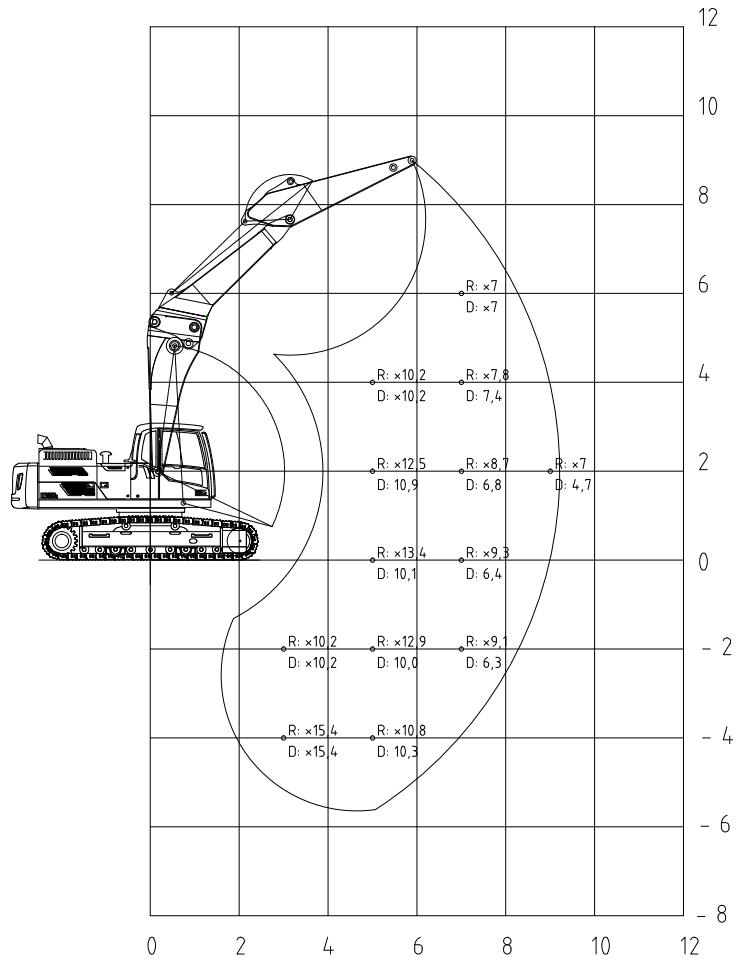
\* Working height 19 m  
max. tool weight 2500 kg

High reach demolition boom + max. work tool 2,5t





Digging front - straight



Digging front - bended

The above loads are according to the hydraulic excavator lift capacity ratings standard ISO/DIS 10567, they do not exceed 87% of hydraulic lifting capacity or 75% of tipping capacity. Weight of all lifting accessories must be deducted from the above lifting capacities.

## Bucket cylinder protection guard

For protection of bucket cylinder during demolition jobs



- Heavy profile
- Positioning brackets at bucket cylinder

## Tiltable Cab

For maximum visibility during demolition jobs



- Tilting angle 30°
- Emergency lowering valves inside and outside the cab
- Two (2) heavy tilting cylinders with safety valves
- Operation by joy-sticks and selection switch

## Additional removable counterweight

For maximum stability and lifting capacity for each application



- Additional weight 2,5 ton
- Sandwich design, between engine and original counterweight

## Boom quick coupler

For maximum flexibility and utilization



- Hydraulically operated
- Integrated cylinder in base boom
- Unique high durability design with minimized stress on cylinder



## Digging boom

For digging applications



- 2 positions; bent and straight boom
- Protection guard for bucket cylinder
- Ölquick coupler

## Heavy duty undercovers

For maximum protection at demolition jobs



- According to original design
- Plate thickness 8 mm
- Protection guards for bolts

## Side protection (SIP)

For maximum protection against obstacles



- Heavy duty protection
- Bolt-on design

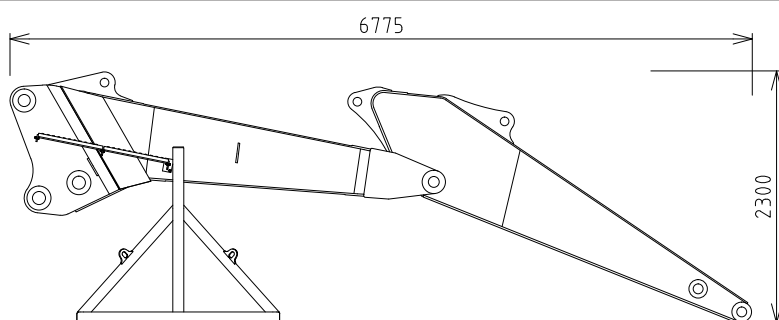
## Transport/storage frames

For high stability in dismantled position

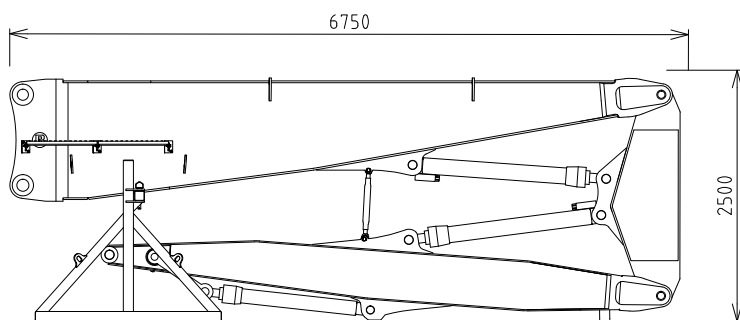


- Including lashing chains
- For transport and storage of the boom
- Applicable for digging boom and high reach demolition boom

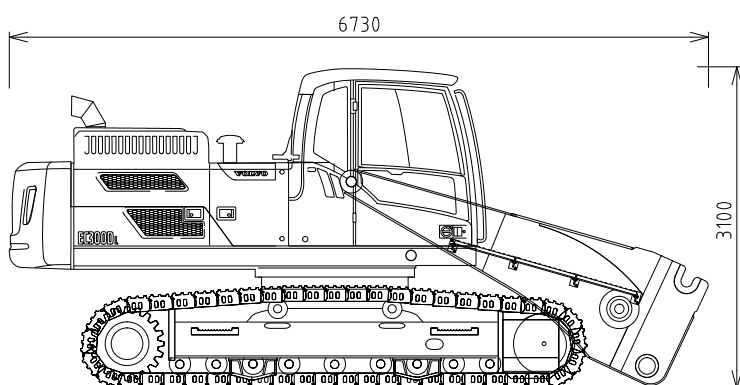
## Transport dimentions



Digging front



High reach demolition boom



Base machine





**Smart. Solid.**

**BECO | TRANSPORT**

Tipper trailers and hooklift carriers  
for agricultural, earthmoving,  
landscaping and industry.

**BECO | ATTACHMENTS**

Equipment and attachments for excavators,  
wheel loaders and cranes.

**BECO | MODIFICATIONS**

Modifications and components  
for excavators, wheel loaders,  
dump trailers and construction machines.

**BECO | GRABS**

Grabs for material handling, contractor,  
waste processing, dredging,  
recycling and industry.

**BECO | STEEL STRUCTURES**

Customized steel structures for onshore,  
offshore and industry.

**BV BECO**

De Limiet 18

T: +31 (0) 347 - 323100

4131 NR Vianen (Ut.)

F: +31 (0) 347 - 377780

The Netherlands

E: [info@beco-vianen.com](mailto:info@beco-vianen.com)

[www.beco-vianen.com](http://www.beco-vianen.com)

[www.facebook.com/beco.vianen](https://www.facebook.com/beco.vianen)